

## **CP1342 Attachment – Redline text changes to CoP9 Issue 1 V5.0, section 8.2.1**

### **8.2 Multi-rate Whole Current Meter – where the SVA Customer’s installation does not directly connect with the installed Meter(s).**

#### **8.2.1 Installations with an Isolating Switch**

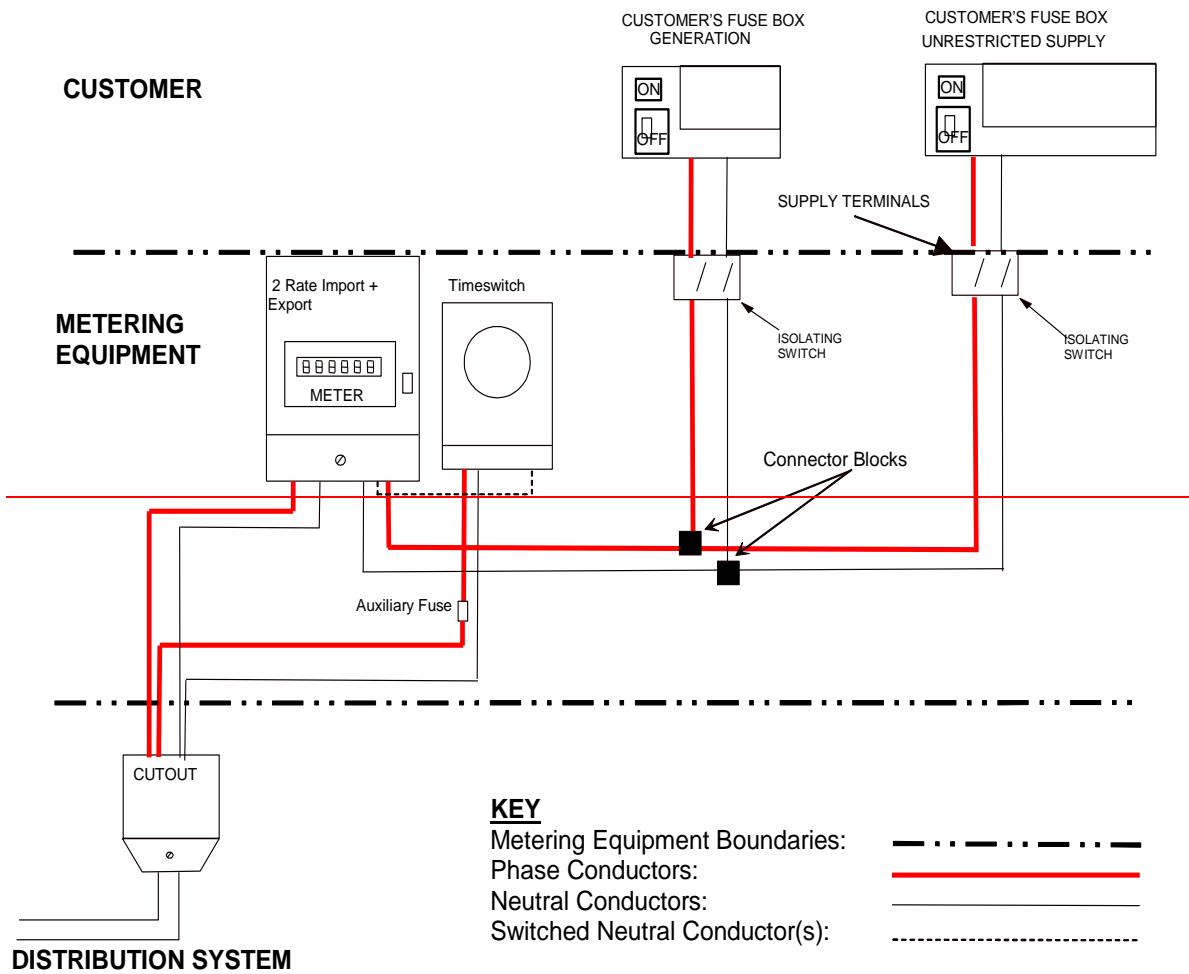
Where an installation has an additional Meter, a timeswitch, teleswitch, or external isolating switch, then the Meter Operator Agent shall install these items. Also, the interconnecting wiring between the items up to the last item of equipment, for example an isolating switch or Meter before the ‘consumer unit’, would be installed and maintained by the Meter Operator Agent. However, any wiring between the final item of equipment and the ‘consumer unit’ would be part of the SVA Customer’s installation.

Note:

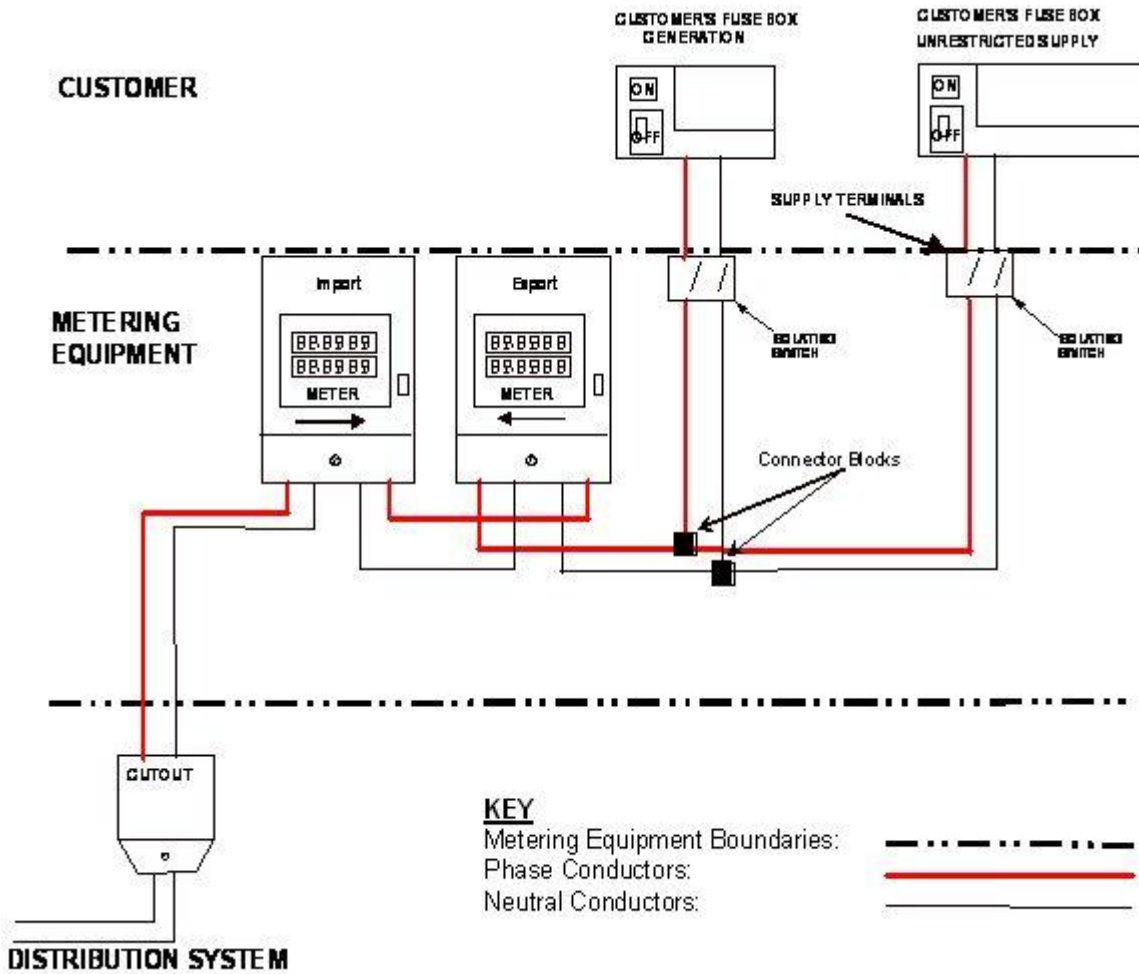
The diagrams in this section of the Code of Practice are single phase examples only. These diagrams should not be taken as definitive wiring diagrams for any installation.

Multi-rate Whole Current installation with separate M1 and M2 Meters with Isolating Switches

**[Housekeeping: Incorrect Diagram deleted]**



**[Housekeeping: Correct Diagram inserted]**



**No further changes have been identified as part of CP1342.**