

ELEXON

**Code Change and Development Group:
Meeting 12**

Elexon

15 December 2020

Introduction, apologies and meeting objectives

Meeting objectives:

- Agree final consultation document for publication
- Agree approach to new transition/migration deliverable
- Agree how DCC is notified of MDR/SDS through the Registration Service

Next steps:

- Elexon will finalise the consultation document tomorrow (Wednesday) for publication on Thursday 17 December
- Elexon will hold an industry webinar on the afternoon of 13 January
- Consultation closes 26 January; CCDG to discuss responses at February's meeting
- 19 January meeting will focus on first transition deliverable activities



SCR UPDATE



AGREE FINAL CONSULTATION DOCUMENT



APPROACH TO TRANSITION/ MIGRATION DELIVERABLE

New transition/migration deliverable: Scope, activities and timescales

Ofgem has asked for a new CCDG deliverable on transition/migration, with the following scope

The deliverable will:

- Be a logical ordering of milestones for transition planning, not a detailed implementation plan
- Identify what industry processes and prerequisites are needed to move each meter type to its target market segment
- Identify what the constraints and dependencies are, and where they occur
- Include all impacted Industry Code processes
- Include migration, run-off and Qualification
- Identify what prerequisites need to be in place to move registration services to the new requirements
- Include pre-migration activities

Approach

- Split into three target market segments and write up each process (internal activity)
- Share with the CCDG for review via Teams
- Sign off each at a CCDG meeting (over three meetings)
- Finalised report or spreadsheet with overview, for consultation then submission to Ofgem

New transition/migration deliverable: Template

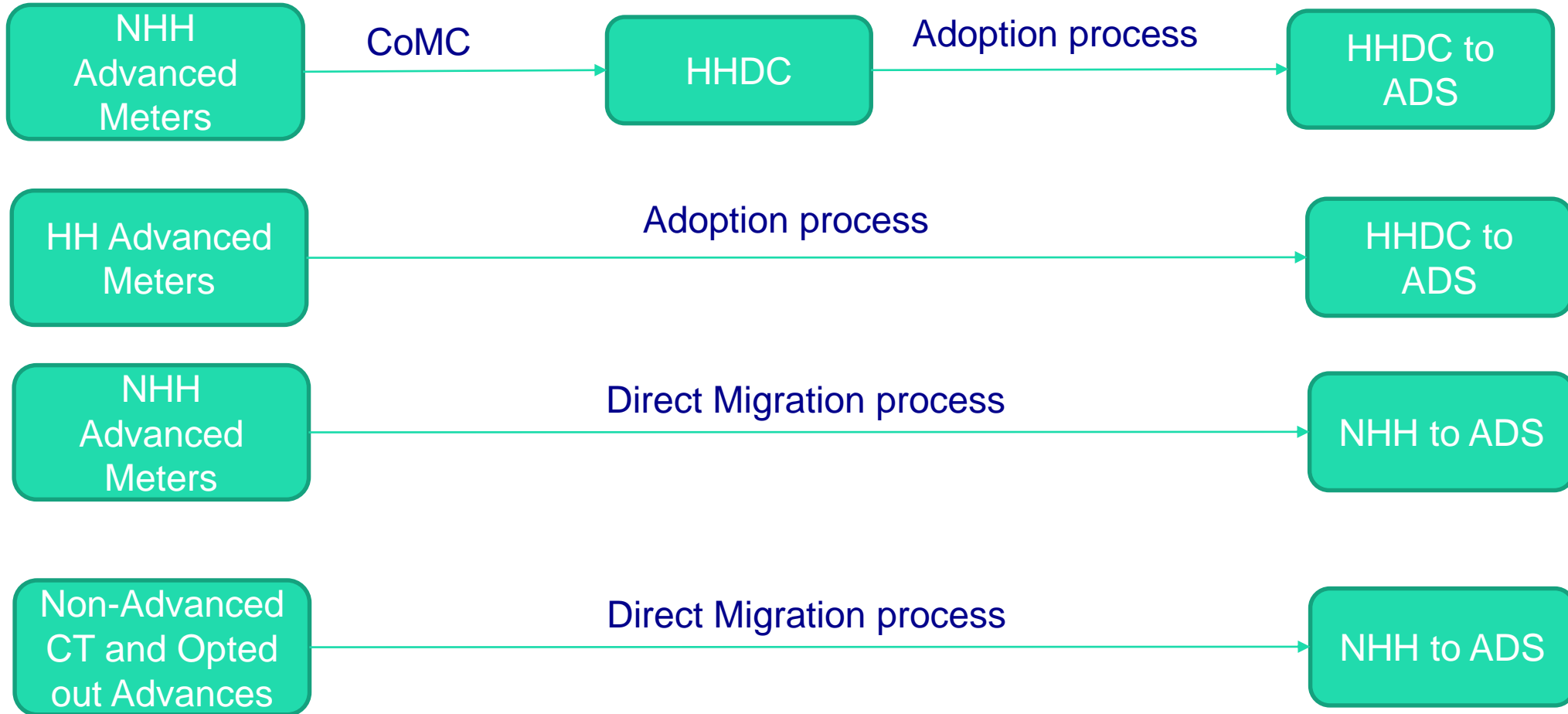
A new template will be developed to set out the steps for migrating Metering Systems from their current arrangements into the MHHS TOM. The template will set out the following:

- The step
- Any preconditions
- The Actor
- Associated Parties
- The what?
- The dependencies on Transition timings
- Dependencies on other areas

The template will initially be populated by Elexon and then discussed by the CCDG and further developed offline between CCDG meetings.

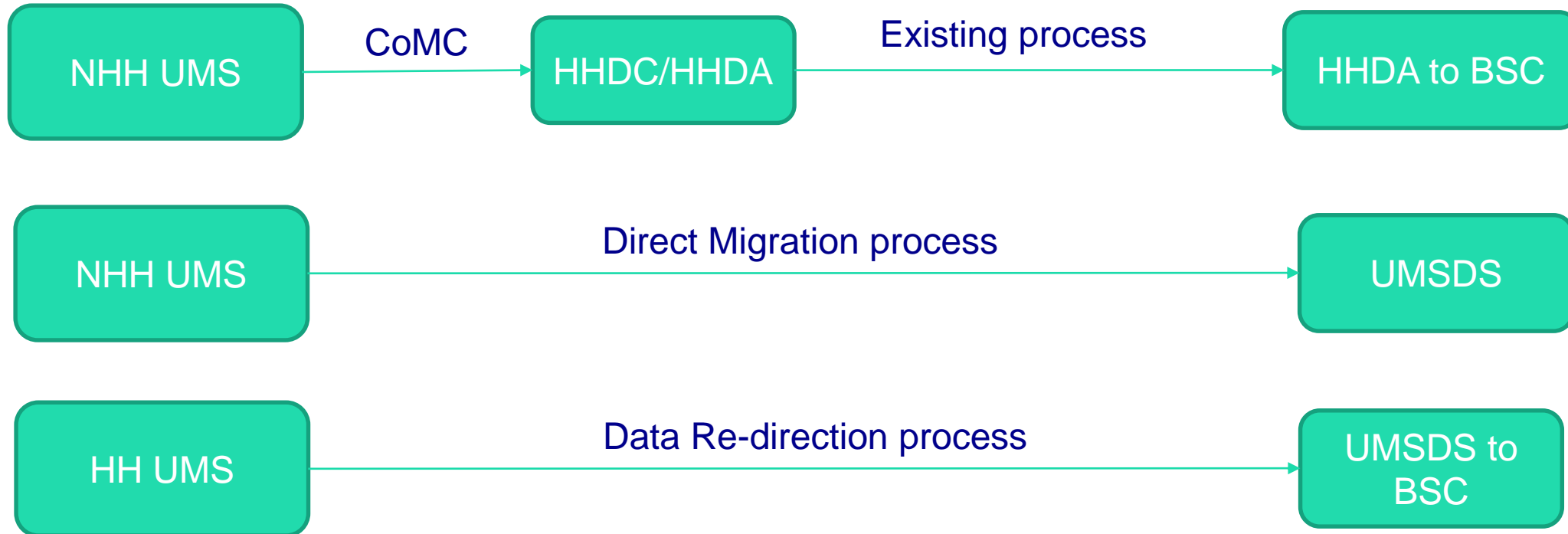
Deliverable scope: Transition to ADS

The deliverable will cover the following scope for transition to ADS:



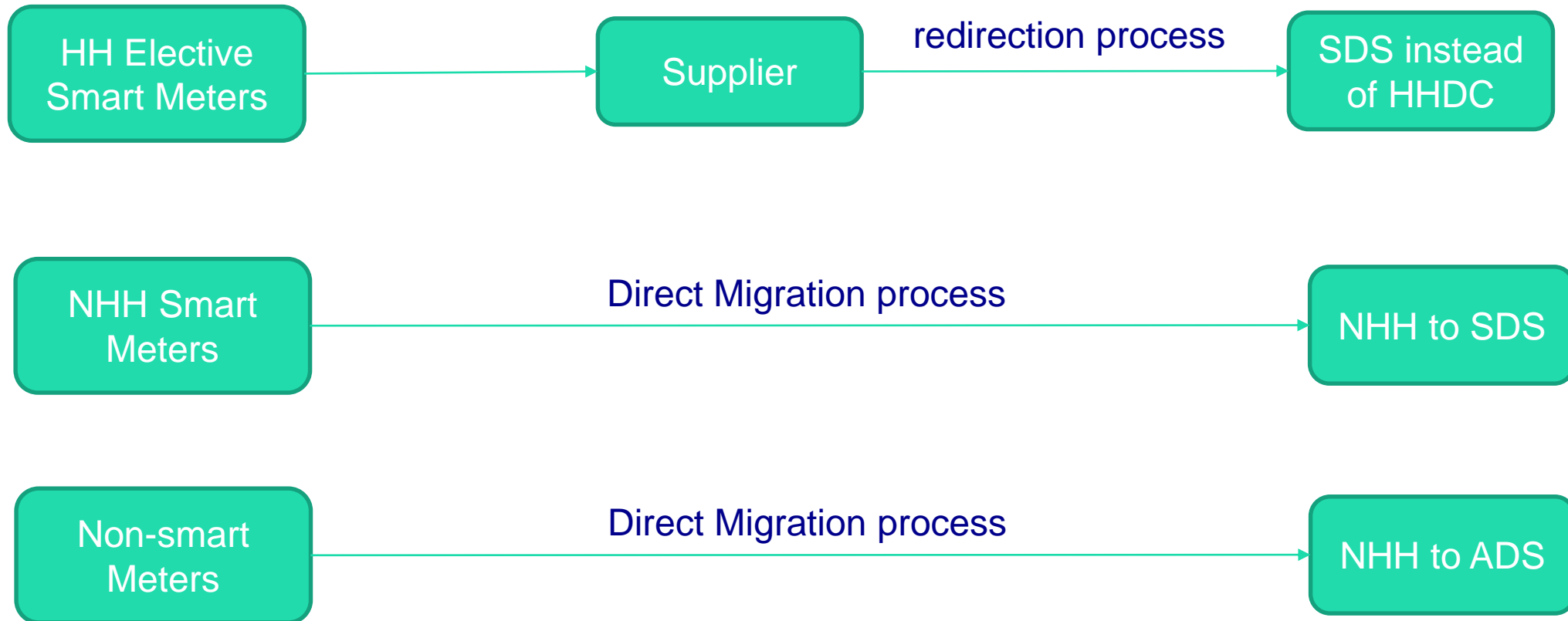
Deliverable scope: Transition to UMS

The deliverable will cover the following scope for transition to UMSSDS:



Deliverable scope: Transition to SDS

The deliverable will cover the following scope for transition to SDS:



Qualification and Settlement run-off

As part of the deliverable the CCDG will need to:

- Agree the scope and approach to qualification of the new Data Services
- Agree the scope and approach to qualification of Metering Services under the BSC
- Agree the approach to Market Roles / Identification of Services
- Revisit the Settlement Run-off approach set out in previous CCDG discussions

New transition/migration deliverable: Key CCDG activities

| When | What |
|----------------------|--|
| 19 Jan 2021 (CCDG13) | CCDG discusses Advanced and UMS migration straw men developed by Elexon |
| 16 Mar 2021 (CCDG15) | CCDG discusses Smart & non-Smart migration straw man developed by Elexon |
| 20 Apr 2021 (CCDG16) | CCDG agrees final straw men and consultation key messages/questions |
| 28 Apr – 11 May 2021 | CCDG reviews draft consultation document via Teams |
| 13 May – 8 Jun 2021 | Industry consultation period |
| 20 Jul 2021 (CCDG19) | CCDG discusses consultation responses |
| 2 – 9 Aug 2021 | CCDG reviews and agrees report via Teams |
| 12 Aug 2021 | Elexon submits CCDG's report on transmission deliverable to Ofgem |

Explanation of gaps in the timetable:

- CCDG14 on 16 Feb 2021: Will focus on discussing responses to TOM design / matrices consultation, which closes 26 Jan 2021
- CCDG17 on 18 May 2021: Will focus on agreeing approach to sequencing/packaging legal drafting for review, as transition consultation will be out with industry (Code bodies will also have started work on the legal drafting by May 2021)
- CCDG18 on 15 June 2021: Will focus on reviewing the first package of draft legal text from the Code bodies (Elexon will be compiling/clarifying transition consultation responses in parallel for July's meeting)

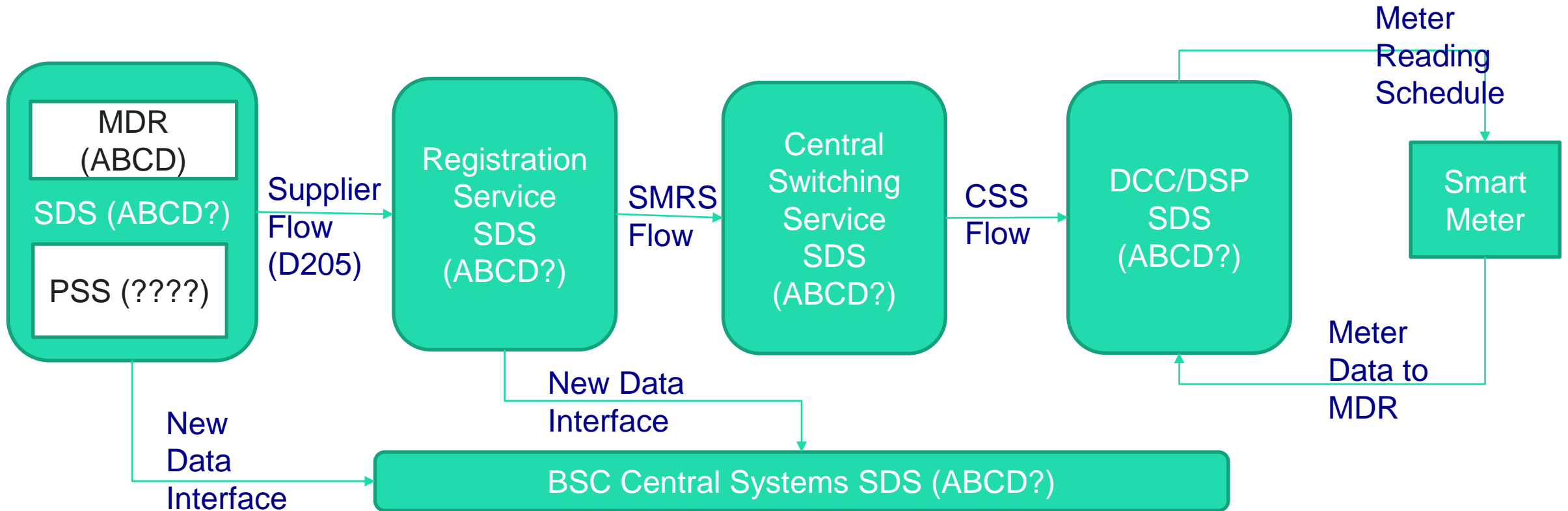


DCC IDENTIFICATION OF MDR

DCC identification of Meter Data Retrieval (MDR) Service

The DCC / DSP Service will need to validate the MDR to allow the MDR to schedule Meter read under the MHHS TOM

- Current design has the SDS Qualified Role MPID and Market Role Indicator set in the Registration Service
- The Supplier will have a separate DCC User Id if acting as the MDR and use the SDS MPID
- If the MDR MPID is set to be identical to the SDS MPID, does this cause an issue for the design?





NEXT STEPS